

MASI67 I/O MODULE

8 digital inputs

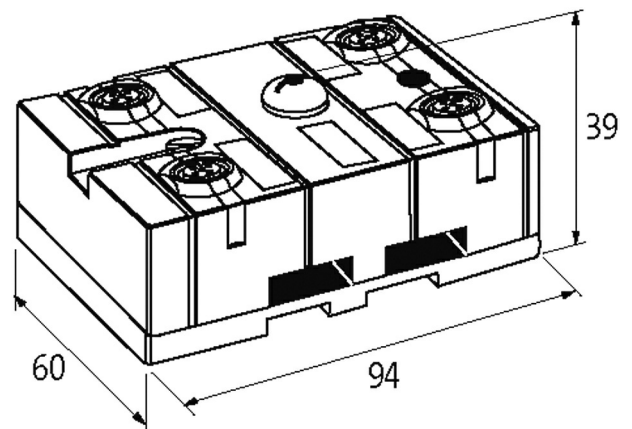
Digital inputs

DI8 - 0.24 A - 4 × M12 (AB)

Double assignment of M12 females, PIN 2 + 4

Connection cables are in the online shop under "Connection Technology".

Housing fully potted.

Illustration

Product may differ from Image

Approvals**Input**

Sensor supply US	max. 240 mA from AS-Interface (short-circuit and overload protected)
------------------	--

Type	for 3-wire sensors or mechanical switches, PNP
------	--

General data

Protection	IP67
------------	------

Mounting method	DIN-rail mountable (EN 60715) or screw fixing
-----------------	---

Temperature range	-20...+60 °C (storage temperature -20...+70 °C)
-------------------	---

Dimensions H×W×D 94×60×39 mm

Technical Data

Bus voltage (AS-Interface)	26.5...31.6 V DC
Total current	max. 290 mA
Addressing	via built-in address port or master
Address range	1...62 (2× 1...31 A or B)
Profile (IO/ID/ID2 code)	2× S-0.A.2
Double assignment of M12 female	yes
PIN 2 and PIN 4 of M12 female bridged	no

Diagnostic

Communication status	via LED
Diagnostic via LED	per module
Monitoring - no voltage	yes

Commercial data

country of origin	DE
customs tariff number	85176200
EAN	4048879049108
eClass	27242604
Packaging unit	1